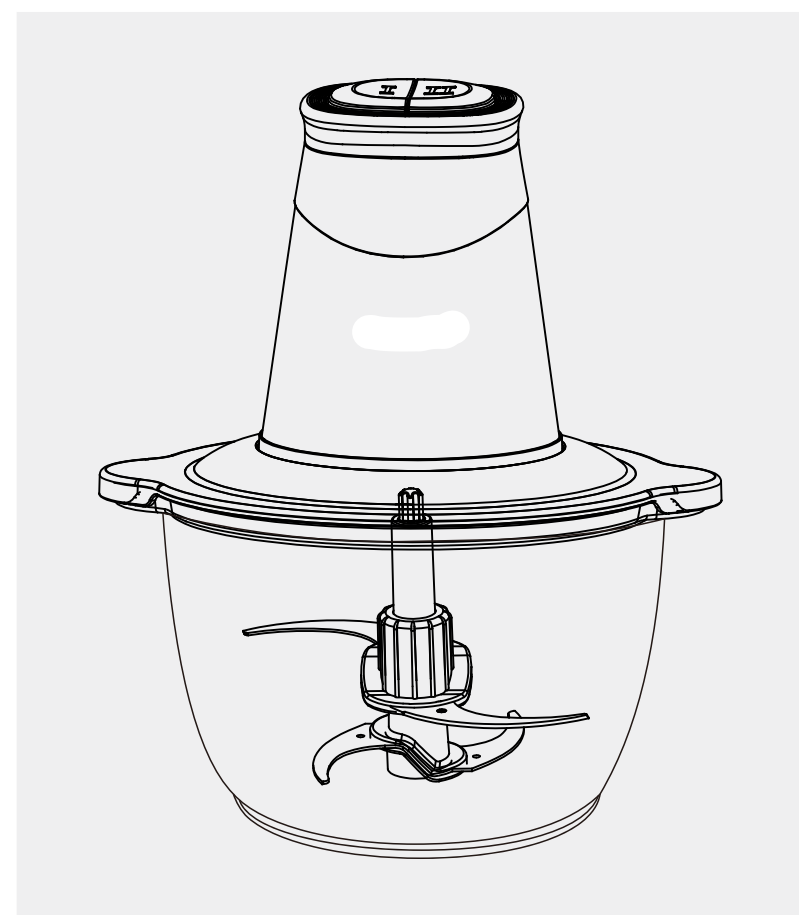


## Troubleshooting Guide

Before calling the Customer Service Number, carefully check the list below for a possible solution to your question.

POTENTIAL PROBLEM	PROBABLE CAUSE	SOLUTION
The machine does not operate after power on	The top cover is locked in place or not	Put in the top cover good
The machine stop during use	1.Voltage is too low 2.The motor works for a long time or overloaded, power supply will cut off automatically	1.Check power supply for compliance with rated voltage 2.Pull out plug of power supply, wait for the motor to cool (about for 30 min), use again.
There is smell at the first use	Normally situation for new machine	After the motor works for some periods, it still have smell, please send back to us for check
The machine is unusually vibrating or noisy	1.The blade not put in place 2.The machine not put on stable place 3.Voltage is too high 4.The ingredients is exceed over the max filling level	1.Take out all the ingredients, and put blade in place 2.Put the machine on stable place 3.Check power supply for compliance with rated voltage 4.Remove the power plug from the power outlet then take out the extra ingredients

6



## Food Chopper

Model No. BM-217A

Please read all instructions carefully before using

Garlic	200 G.	4-6S	
Ckili pepper	200 G.	6-8S	
Carrot	200 G.	10-15S	
Parsley	200 G.	8-10S	

## Attentions

- Do not use AC power other than 120V, otherwise there is a risk of electric shock or fire.
- Use a single socket with standard 3A or more. If the socket is shared with other appliances, the socket line may cause an abnormal heat or fire.
- Hold the plug, and insert it on the socket repositively .
- Hold the plug, and pull it out of the socket repositively .
- Please do not use iron objects to scratch the machine.
- After use, must pull out the plug, otherwise it may be the risk of electric shock or leakage.
- The product can not be used to process hard food, such as: meat with bones, coffee bean, black pepper, Chinese prickly ash or ice cake.
- The temperature range of the glass bowl is 0°C--50°C. Can not put the glass bowl into the microwave for heating or put the food which beyond the temperature range in the glass bowl.
- Before put into the ingredients, confirm that the blade is in position or not. If the blade can not running or running slowly, pull out the plug, and check whether there is any obstacle. Take out the obstacle if there is.
- After put into the ingredients, confirm that the blade is in position, and if the blade can not running quickly in few seconds, pull out the plug, use again after take out the extra ingredients or laid out the ingredients.
- Blade is very sharp. Please do not touch the blade directly with your hand, and hold the arbor on the blade when you remove it.
- Never run more than 30 seconds continuously. After work for 30 seconds, rest 2 minutes for a break. Work for 30 seconds interval of 2 minutes for a cycle, continuous work 3 cycles,

4

## Important safeguards

When using electrical appliances, basic safety precautions should always be followed, including the following

- Read all instructions before operating.
- Ensure that the voltage set on the machine corresponds the supply of electricity in your country.
- Remove the mains plug from the wall socket outlet, if a disturbance occurs.
- Do not operate the appliance with a damaged cord or plug or after the appliance malfunction or has been damaged in any manner. Return the appliance to the nearest authorized service facility for examination, repair or adjustment.
- Do not connect this product to the timer to avoid danger.
- To protect against electrical shock, do not immerse cord, plug or appliance itself in water or other liquids.
- When the product is working, it is strictly forbidden to extend your finger or sharp object into the feeding tube to avoid injury or damage to the product.
- When using the product, please use the original accessories provided by the manufacturer.
- If the supply cord is damaged, it must be replaced by the manufacturer, its service agent or similarly qualified persons in order to avoid a hazard.
- After finish, only can disassemble the accessory after the motor stop completely.
- For the safety, children should be supervised to ensure that they do not play with the appliance.
- This appliance is not intended for use by persons (including children) with reduced physical sensory or mental capabilities, or lack of experience and knowledge, unless they have been given supervision or instruction concerning use of the appliance by a person responsible for their safety.
- For home use only. Not for commercial use.
- Never work without any care.
- Please put in a dry place and without ultraviolet light.

1

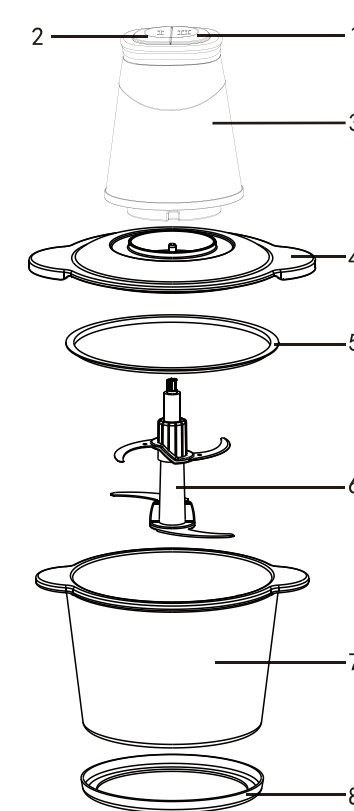
Thanks for purchasing SYVIO product! Please contact our service support to get EXTRA 3 months warranty! Email address:support@mysyvio.com.

If there is any product problem, please keep us noted. We will get back to you in 12 hours. Thank you!



COMPANY:SYVIO TECHNOLOGY CO.,LIMITED  
ADDRESS:Room 21 Unit A, 11/f, Tin Wui Industrial Building:No.3 Hing Wong Street, tuen Mun, N. T. HongKong.  
Applicant:Zhongshan Boming Electric Appliance Co.,Ltd  
ADDRESS:1st Building A, No.11 Xiangnan South Road, Huangpu Town, Zhongshan City, Guangdong Province.  
WEBSITE:www.mysyvio.com  
TEL:1-888-227-6828  
EMAIL:support@mysyvio.com

## Diagram of name and position of main components



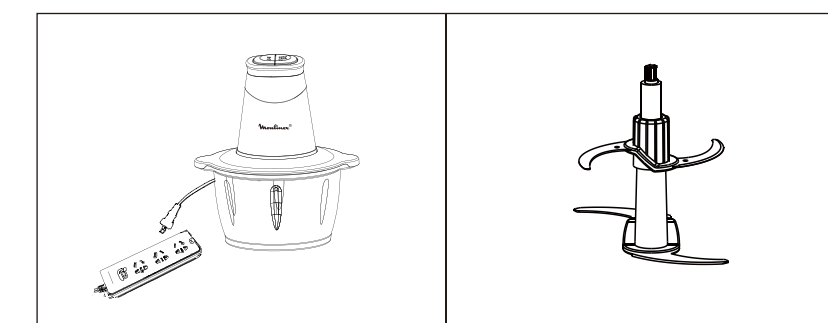
- Speed II
- Speed I
- Motor unit
- Top cover
- Silicone ring
- Blade
- Bowl
- Coaster

## INSTRUCTIONS

- Before use, clean the glass jar, blade and top cover.
- Take off the main machine and top cover, place the meat in clean place.
- Place the blade on the blade supporter.
- Please make sure that the blade is on the blade supporter after put in the foods.
- Place the top cover, and then the motor unit, and make sure they are in correct position.
- Insert the plug, and switch on the power.

2

- must be stopped by 15 minutes, wait for the motor cool down before work again.
- In case of damaged power supply cord, in order to avoid danger, replacement must be performed by the manufacturer or its service department or similar professional persons.
- The blade is sharp. TAKE CARE.



- After use, please remove the power plug from the power outlet in time.
- For safety, please wear gloves to disassemble the blade as per the picture.
- Please assemble the blade with knife set after cleaning and make dry, the blades are very sharp, please take care.
- All accessories can be washed in soapy water or in a dishwashing liquid. To protect against scratch of machine, do not use steel wire ball.
- Never immerse the motor unit or put in under running water. Simply wipe it clean with a damp sponge.
- If not using for a long time, please store this machine at a dry and well-ventilated place so as to prevent the motor from being damped and going moldy.

## Specifications

Voltage : 120V  
Frequency : 60Hz  
Power : 400W  
Capacity : 2L/1.2L

5

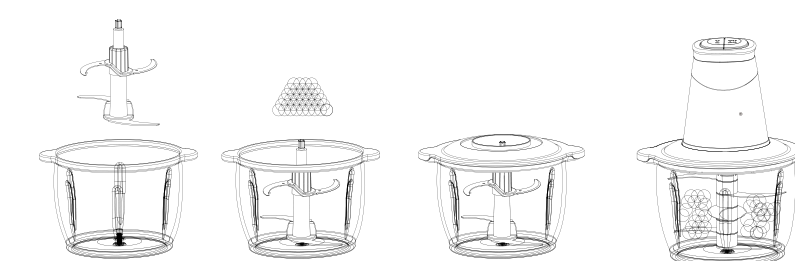
- Hold the motor unit with your hand, and press the button to start running. Release the button to stop running.

CAUTION: In order to prolong useful life of the machine, never run more than 30 seconds at one time. Give the machine 120 seconds rest before re-use.

- After release the switch, please do not remove the motor unit immediately, wait until the blade stops rotating and then cut off the power, remove the motor unit.
- Blades are very sharp. In order to avoid injury, please take out the blade firstly, and then take out the foods.

CAUTION: To protect against bowl from heat deformation and leak, do not put hot water or food which the temperature is higher than 50°C.

## Operating time



- Place the blade on the bowl axis.
- Put in the ingredients. (Do not exceed the max filling level mark on bowl).
- Put in the cover.
- Press the button to start running.

Ingredients	Qty. Max.	Processing Time Approx.	Remark
Pork	500G. Cut into 20*20*20mm	8-10S	remove tendon, bones and skin
Beef	500G. Cut into 20*20*20mm	8-10S	remove tendon, bones and skin

3